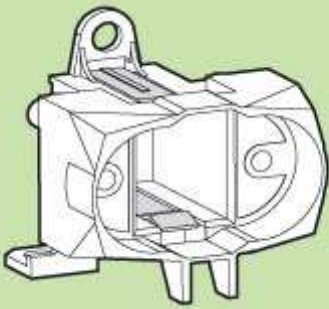
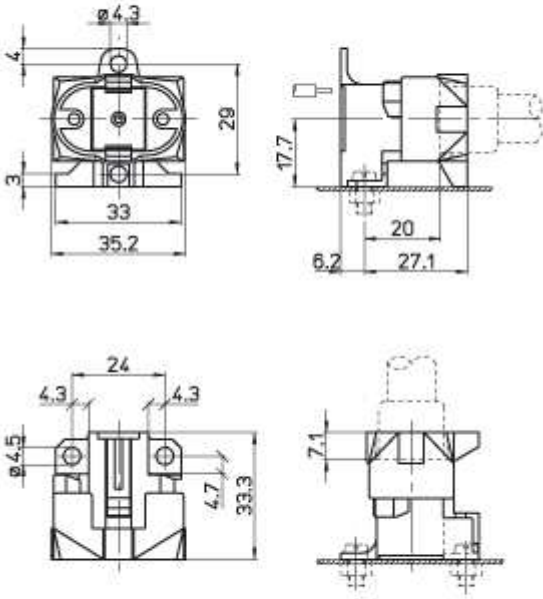










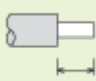



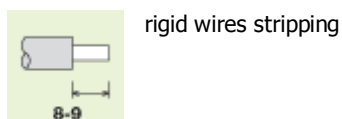
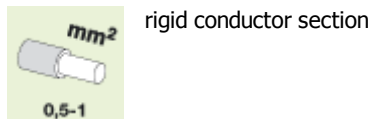
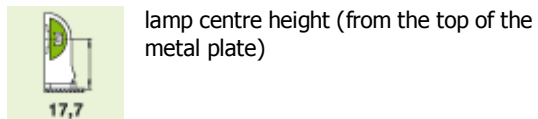
<b>401/V</b>				
G23	2A-250V	T140 (IEC)		
				
<p>LAMPHOLDER</p> <ul style="list-style-type: none"> <li>— White PBT body</li> <li>— Copper alloy contacts</li> </ul>				
				
   75W-250V T120 (UL496)				
				
				
				
 17,7				
				
 mm <sup>2</sup> 0,5-1				
 8-9				
 130				

**Legend**

SCREW FIXING



CHARACTERISTICS



TERMINALS

