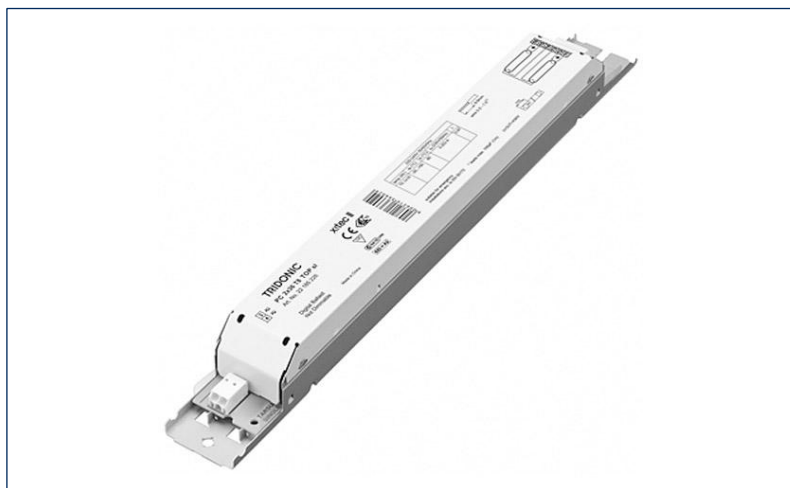


PC T8 TOP Ip, PC T8 TOP sl, 18 – 58 W

PC TOP T8

PC TOP ballasts are the preferred specification of the professional lighting industry, with a wide range of product characteristics meeting all essential market requirements. With PC TOP, you give luminaires a high level of quality and efficiency. The product range is also top with regard to availability: PC TOP ballasts are not only available for T8- but also for T5 lamps, and for recessing and surface-mounting.



Product description

- _ CELMA Energy Efficiency Index A2
- _ Nominal life-time up to 50,000 h (at ta 50 °C with a failure rate ≤ 0.2 % per 1,000 h)
- _ Large temperature range (for values see table)
- _ Constant luminous flux irrespective of fluctuations in mains voltage
- _ Lamp preheating for min. 30,000 starts without replacement of lamps
- _ Designed for THD < 10 %
- _ For luminaires of protection class I and protection class II
- _ Automatic start after replacement of defective lamps
- _ Safety shutdown of defective lamps and at end of lamp life
- _ Push terminal for rapid automatic or manual wiring
- _ For emergency lighting systems as per EN 50172

Website

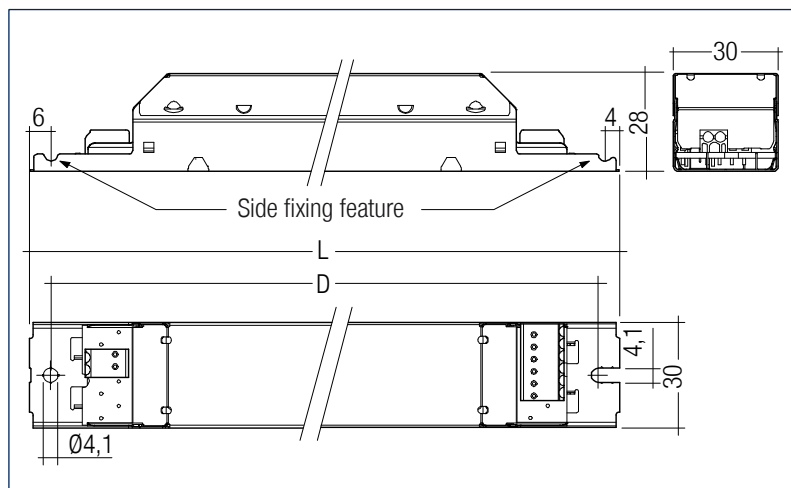
<http://www.tridonic.com/22185223>



PC T8 TOP Ip, PC T8 TOP sl, 18 – 58 W

PC TOP T8

The complete data sheet for this product is available in the Downloads section.



Ordering data

Type	Article number	Figure	Packaging, carton	Packaging, low volume	Packaging, high volume	Weight per pc.
For luminaires with 1 lamp						
PC 1x36 T8 TOP sl	22185223	2	50 pc(s).	1,050 pc(s).	3,150 pc(s).	0.148 kg

Technical data

Mains voltage range	220 – 240 V
AC voltage range	198 – 264 V
DC voltage range	176 – 280 V (lamp start \geq 198 V DC)
Mains frequency	0 / 50 / 60 Hz
Overvoltage protection	320 V AC, 1 h
Defined warm start	\leq 1.5 s
Operating frequency	\geq 39.5 kHz
Type of protection	IP20

Approval marks



Standards

EN 55015, EN 61347-2-4, EN 61347-2-3, EN 60929, EN 61000-3-2, EN 61547, Acc. to EN 50172, IEC 68-2-64 Fh, IEC 68-2-29 Eb, IEC 68-2-30

Specific technical data

Lamp wattage	Lamp type	Type	Article number	Dimensions L x W x H	Hole spacing D	Lamp power	Circuit power	EEI	Current at 50 Hz		λ at 50 Hz		tc point max.	Ambient temperature ta	tc/ta for \geq 50, 000 h
									220 V	240 V	220 V	240 V			
For luminaires with 1 lamp															
1 x 36 W	T26 (T8)	PC 1x36 T8 TOP sl	22185223	230 x 30 x 28 mm	220 mm	32.0 W	36.7 W	A2	0.165 A	0.148 A	0.99	0.97	65 °C	-25 ... +55 °C	60/50 °C