

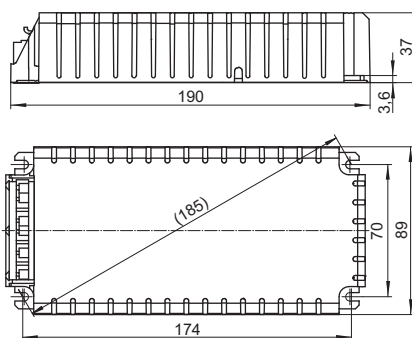
Electronic Ballasts for HI Lamps 2 x 35 and 2 x 70 W

Shape: K32

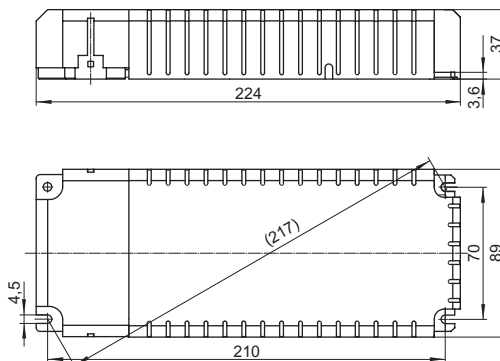
Casing: heat-resistant polycarbonate
 For ceramic discharge tube lamps (C-HI)
 Power factor: 0.98
 Ignition voltage: max. 5 kV
 Operation frequency: 176 Hz
 Push-in terminals with lever opener: 0.75-2.5 mm²
 Total harmonic distortion: < 10%
 Temperature protection: a lamp is switched off
 in the event of overheating
 Constant power consumption
 Protection against "no load" operation
 For luminaires of protection class I and II
 Degree of protection: IP20
 Permissible load capacity: 20-100 pF
 RFI-suppressed
 Fixing brackets for screws M4
 for base mounting
 Separate ignition channels enable
 independent lamp operation



K32



K32 with cord grip



Lamp				Electronic ballast								System
Output W	Type	Base	Power consumption W	Type	Ref. No.	Voltage AC 50, 60 Hz V -10%+6%	Mains current A	Energy- efficiency	Ambient temperature t _a (°C)	Casing temperature t _c (°C)	Weight g	Output W
Electronic built-in ballasts												
2x35	HI	GU6.5, G8.5, GU8.5, GX8.5, G12, E27	2 x 39	EHXc 235.316	188223	220-240	0.4-0.36	A2	-25 to 50	max. 80	405	86
2x70	HI	G8.5, GU8.5, GX8.5, G12, PG12-2, E27, RX7s	2 x 73	EHXc 270.317	188224	220-240	0.74-0.68	A2	-25 to 45	max. 80	440	160
Independent electronic ballasts with cord grip												
2x35	HI	GU6.5, G8.5, GU8.5, GX8.5, G12, E27	2 x 39	EHXc 235.316	188455	220-240	0.4-0.36	A2	-25 to 50	max. 80	455	86
2x70	HI	G8.5, GU8.5, GX8.5, G12, PG12-2, E27, RX7s	2 x 73	EHXc 270.317	188456	220-240	0.74-0.68	A2	-25 to 45	max. 80	490	160

Circuit diagrams see page 190