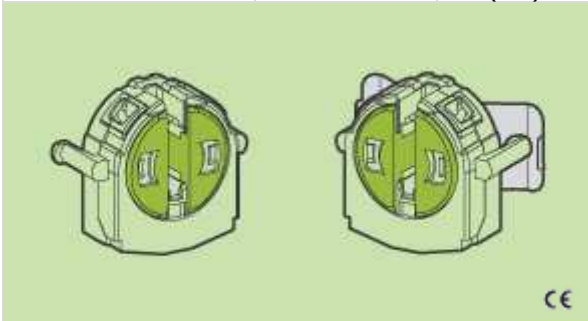
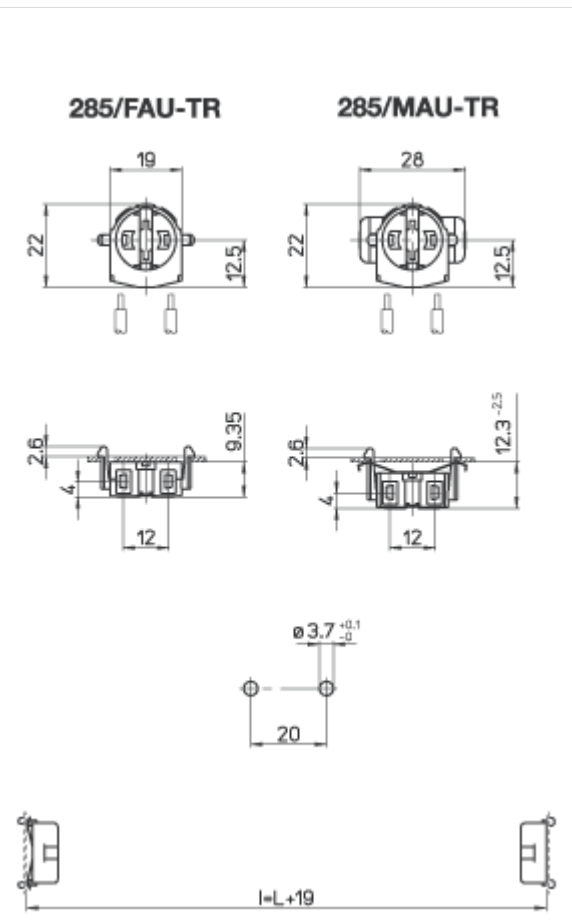
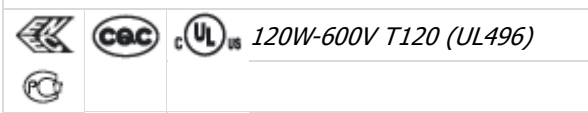

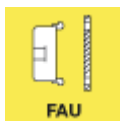


285/FAU-TR 285/MAU-TR		
G5	2A-500V	T130 Tm110 (IEC)
		
<p>LAMP HOLDERS</p> <ul style="list-style-type: none"> — Transparent polycarbonate body — Copper alloy contacts — With top test 		
		
		
White PBT version on demand		
		

Legend

AUTOMATIC FIXING

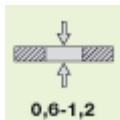


back mounting, fixed

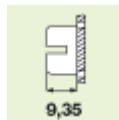


back mounting, adjustable

CHARACTERISTICS



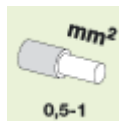
metal plate thickness



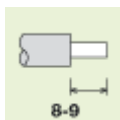
lampholders/starterholders thickness



PBT green rotor with position of...



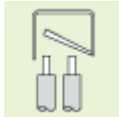
rigid conductor section



rigid wires stripping

TERMINALS

ACCESSORIES



push-wire terminals with 2 holes



with 1115