



TUV PL-S

TUV PL-S 9W/2P 1CT

TUV PL-S lamps are compact UVC (germicidal) lamps used in residential water and air disinfection units. The compact size of the lamp allows for a small system design and design flexibility. TUV PL-S lamps offer constant UV output over their complete lifetime, for maximum security of disinfection and high system efficacy. Thanks to the single-ended lamp base, lamp replacement is easy.

Product data

• General Characteristics

Cap-Base	G23
Cap-Base Information	2 Pins
Bulb	2xT12
Execution	2 Pins
Main Application	Disinfection
Useful Life	9000 hr

• Light Technical Characteristics

Color Code	TUV
Color Designation (text)	-

• Electrical Characteristics

Lamp Wattage	9 W
Lamp Wattage Technical	9 W
Lamp Voltage	60 V
Lamp Current	0.17 A

• UV-related Characteristics

UV-C Radiation	2.3 W
----------------	-------

• Product Dimensions

Base Face to Base Face A	129 (max) mm
--------------------------	--------------

Insertion Length B	145 (max) mm
Overall Length C	167 (max) mm
Diameter D	28 (max) mm
Diameter D1	13 (max) mm

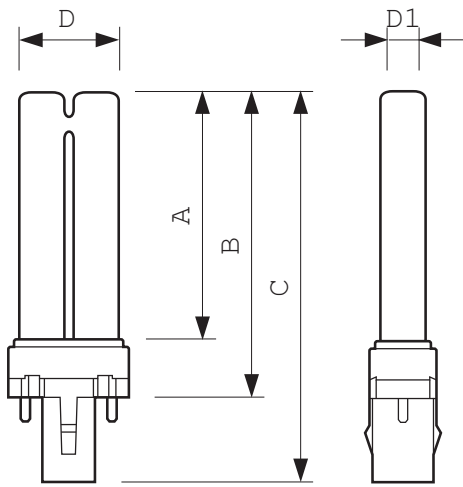
• Product Data

Order code	927901704007
Full product code	927901704007
Full product name	TUV PL-S 9W/2P 1CT
Order product name	TUV PL-S 9W/2P 1CT/6X10BOX
Pieces per pack	1
Packing configuration	6X10CC
Packs per outerbox	60
Bar code on pack - EAN1	8711500618245
Bar code on intermediate packing - EAN2	8711500618252
Bar code on outerbox - EAN3	8711500618269
Logistic code(s) - 12NC	927901704007
Net weight per piece	30.700 gr

Dimensional drawing

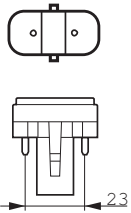
PHILIPS

Dimensional drawing



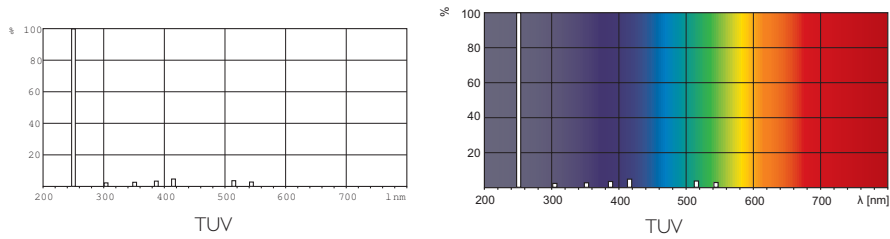
TUV PL-S 9W/2P 1CT

Product	A (Max)	B (Max)	C (Max)	D (Max)	D1 (Max)
TUV PL-S 9W/2P	129	144.5	167	28	13



G23

Photometric data



© 2013 Koninklijke Philips N.V. (Royal Philips)
All rights reserved.

Specifications are subject to change without notice. Trademarks are the property of Koninklijke Philips N.V. (Royal Philips) or their respective owners.

www.philips.com/lighting

2013, July 9
data subject to change